

MP-6/D

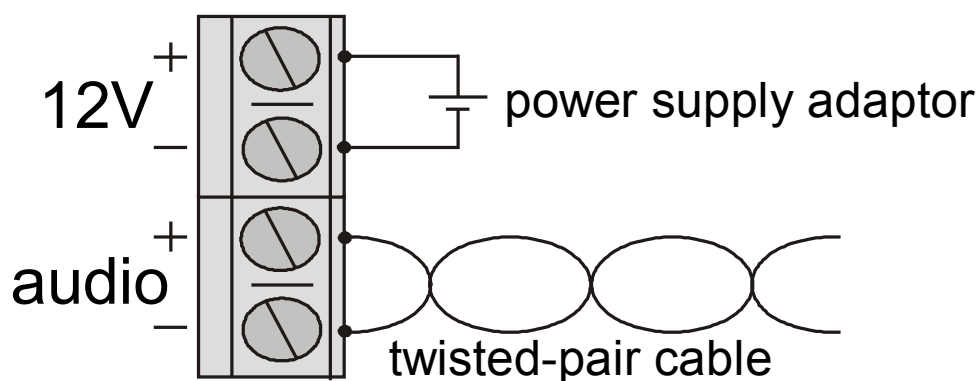


AUDIO MODULE FOR CCTV WITH DIFFERENTIAL OUTPUT

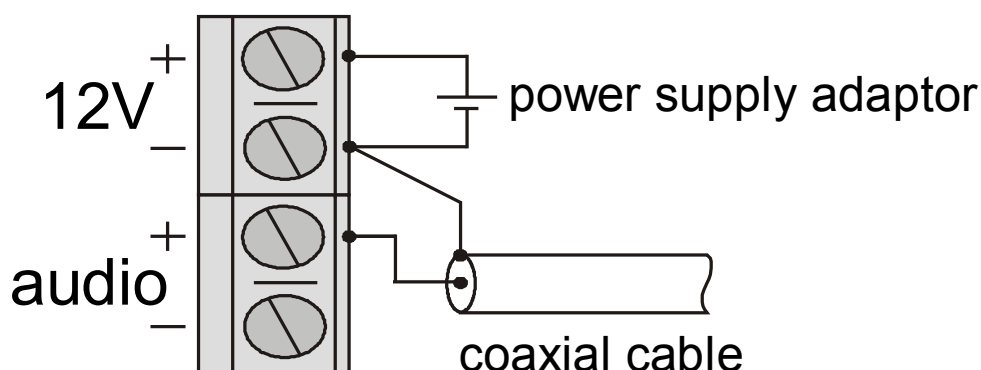
Using audio signals in CCTV systems allows to increase the whole system effectiveness. The device has a differential (symmetrical) output, which allows to signal transmission via twisted-pair cable.

The asymmetrical signal can be obtained by connection between (-) power signal and one of the symmetrical output.

Differential output connecting:



Asymmetrical output connecting:



P.W. "DELTA"
ul. Graniczna 10
60-713 Poznań
Poland
www.delta.poznan.pl

Specifications:

Power voltage: 12V DC
Current consumption: 10mA
Weight: 9g
Tube dimensions: 12x35mm