

DH-HAC-HDW1200T-Z-A

2MP IR HDCVI Motorized Vari-Focal Eyeball Camera



* The parameters and datasheets below can only be applied to 1200-S6 series.

- Max. 30 fps@1080p.
- Smart IR Illumination.
- 60 m illumination distance.
- Super Adapt.
- Built-in Mic.
- 2.7 mm–12 mm motorized lens.
- CVI/CVBS/AHD/TVI switchable.
- IP67, 12 VDC.



Series Overview

The Lite Series is a great choice for consumers looking for high quality monitoring products at a reasonable price. Its low cost and high performance make it ideal for residential areas and SMB solutions. This series is equipped with a wide range of technologies, such as full-color and starlight, providing various solutions for different scenarios.

Functions

Smart IR Illumination

With its IR illumination, the camera provides optimal performance in low light conditions, ensuring uniformity in the brightness of B/W images. Through its smart IR technology, the camera also compensates for the distance of targets by adjusting the intensity of its IR LEDs, preventing overexposure of images as targets move closer to the camera.

Broadcast-quality Audio

Audio signal transmission over coaxial cables is supported by the HDCVI camera. It adopts a unique audio processing and transmission technology that restores source audio and eliminates noise, ensuring the quality and reliability of the audio information that is collected. This becomes important for video surveillance applications that use audio information as a type of supplementary evidence.

Super Adapt

With its intelligent algorithm, the camera automatically adjusts its parameters to provide optimal performance and vivid images.

Advanced 3DNR

Dahua's advanced 3DNR technology reduces image noise with little to no impact on image sharpness, especially in poor lighting conditions. It detects the noise, and compares the sequential frames to effectively reduce the noise. It also makes efficient use of bandwidth, saving on storage space.

Protection (IP67, Wide Voltage)

IP67: The camera passed a series of rigorous dust and immersion tests. Its enclosure is both dust-proof and waterproof, and can function normally while being immersed in 1 m deep water for up to 30 minutes. Wide voltage: The camera has $\pm 30\%$ input voltage tolerance (for some power supplies) and a wide voltage range, making it suitable for a variety of outdoor scenarios.

4 Signals over 1 Coaxial Cable

HDCVI technology supports 4 signals (video, audio*, data and power) which are simultaneously transmitted over a coaxial cable. Dual-way data transmission allows the HDCVI camera to interact with the XVR to perform various actions such as sending control signals and triggering alarms. HDCVI technology also supports PoC, which makes the camera easy and quick to install.

* Audio input is available for select HDCVI camera models.

Long Distance Transmission

HDCVI technology provides long distance transmission in real time without transmission loss. It supports transmission distances up to 700 m for 2-MP/5-MP/8-MP HD videos through coaxial cables, and up to 300 m through UTP cables. The results were obtained and verified through rigorous testing in Dahua's test laboratory.

Technical Specification

Camera

Image Sensor	2 MP CMOS
Max. Resolution	1920 (H) × 1080 (V)
Scanning System	Progressive
Electronic Shutter Speed	PAL: 1/25 s–1/100000 s NTSC: 1/30 s–1/100000 s
Min. Illumination	0.01 lux@F1.6 (Color, 30 IRE) 0.001 lux@F1.6 (B/W, 30 IRE) 0 lux (Illuminator on)
S/N Ratio	>65 dB
Illumination Distance	60 m (196.85 ft)
Illuminator On/Off Control	Auto
Illuminator Number	2 (IR light)
Angle Adjustment	Pan: 0°–360° Tilt: 0°–78° Rotation: 0°–360°

Lens

Lens Type	Motorized Vari-focal				
Auto Focus	No				
Lens Mount	φ14				
Focal Length	2.7 mm–12 mm				
Max. Aperture	F1.6				
Field of View	H: 28.3°–98.2°; V: 15.8°–51.9°; D: 32.1°–116.7°				
Iris Control	Fixed				
Close Focus Distance	0.8 m (2.62 ft)				
DORI Distance	Lens	Detect	Observe	Recognize	Identify
	2.7 mm	47.4 m (155.51 ft)	18.9 m (62.01 ft)	9.5 m (31.17 ft)	4.7 m (15.42 ft)
	12 mm	155.6 m (510.50 ft)	62.2 m (204.07 ft)	31.1 m (102.03 ft)	15.6 m (51.18 ft)

Video

Video Frame Rate	CVI: PAL: 1080p@25 fps; NTSC: 1080p@30 fps; AHD: PAL: 1080p@25 fps; NTSC: 1080p@30 fps; TVI: PAL: 1080p@25 fps; NTSC: 1080p@30 fps; CVBS: PAL: 960H; NTSC: 960H
Resolution	1080p (1920 × 1080); 960H (960 × 576/960 × 480)
Day/Night	Auto(ICR)/Color/B/W
BLC	BLC; HLC; DWDR
WDR	DWDR
White Balance	Auto; Area white balance

Gain Control	Auto
Noise Reduction	3D NR
Illumination Mode	Smart IR
Mirror	Yes
Privacy Masking	Off/On (8 areas, rectangle)

Certification

Certifications	CE-LVD: EN 62368-1; CE-EMC: EN 55032; EN 55035; FCC: 47 CFR FCC Part 15, Subpart B; UL: UL62368-1 + CAN/CSA C22.2 No. 62368-1-14
----------------	---

Port

Video Output	Video output choices of CVI/TVI/AHD/CVBS by one BNC port
Audio Input	One channel built-in Mic

Power

Power Supply	12 VDC ± 30%
Power Consumption	Max 6.4 W (12 VDC, IR on)

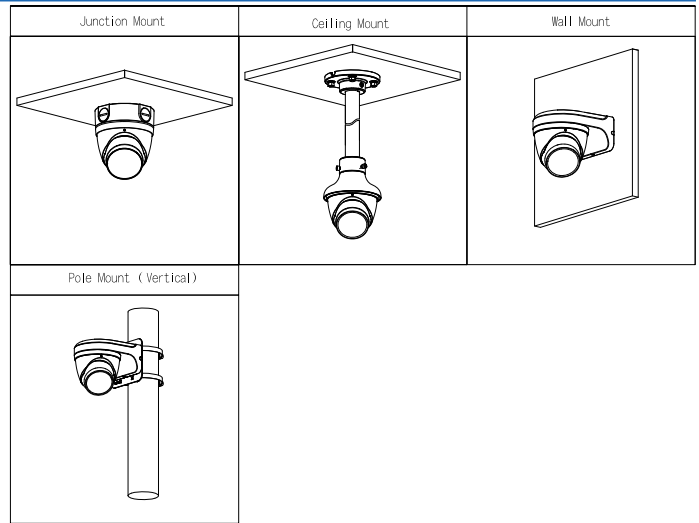
Environment

Operating Temperature	–30 °C to +60 °C (–22 °F to +140 °F)
Operating Humidity	<95% (RH), non-condensing
Storage Temperature	–30 °C to +60 °C (–22 °F to +140 °F)
Storage Humidity	<95% (RH), non-condensing
Protection	IP67
Anti-corrosion Level	Basic Protection

Structure

Casing Material	Metal
Product Dimensions	φ122 mm × 104.8 mm (φ4.80" × 4.13")
Net Weight	0.58 kg (1.28 lb)
Gross Weight	0.74 kg (1.63 lb)
Installation	Wall mount; ceiling mount; vertical pole mount

Ordering Information		
Type	Model	Description
2MP Camera	DH-HAC-HDW1200TP-Z-A	2MP IR HDCVI Motorized Vari-Focal Eyeball Camera, PAL
	DH-HAC-HDW1200TN-Z-A	2MP IR HDCVI Motorized Vari-Focal Eyeball Camera, NTSC
Accessories (Optional)	PFA137	Junction Box
	PFA130-E	Water-proof Junction Box
	PFB205W-E	Wall Mount Bracket
	PFA152-E	Pole Mount Bracket
	PFA106	Mount Adapter
	PFB220C	Ceiling Mount Bracket
	PFM800-E	Passive HDCVI Balun
	PFM321	12V 1A Power Adapter
	PFM904	Integrated Mount Tester



Accessories

Optional:



PFA137
Junction Box



PFA130-E
Water-proof
Junction Box



PFB205W-E
Wall Mount Bracket



PFA152-E
Pole Mount Bracket



PFA106
Mount Adapter



PFB220C
Ceiling Mount Bracket



PFM800-E
Passive HDCVI Balun



PFM321
12V 1A Power Adapter



PFM904
Integrated Mount Tester

Dimensions (mm[inch])

