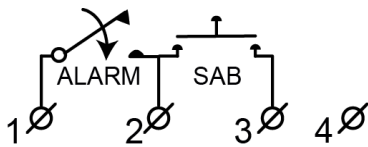


## MC 440

Magnetic Contact,  
Surface mount, NC

## Technical data

Installation method	Surface mount
Contact function	Normally Closed (NC)
Approvals	EN 50131-2-6 Grade 2, Class II, INCERT B-582-0013, SBSC 9-210, Class 2, FG
Contact rating	48 VDC / 500 mA / 10 VA
Magnet type	Alnico 5
Mounting on steel	Possible without accessories
Make distance (wood) mm	37
Make distance (steel) mm	24
Tamper protection	Yes
Connection	Screw terminals
Housing material	ABS Plastic
Operating temperature range	-40°C - +70°C
Housing protection class	IP 43
Contact dimensions (L x W x H) mm	65 x 20 x 15
Magnet dimensions (L x W x H) mm	65 x 15 x 14,5
Normal operation	12 VDC
Grade	2


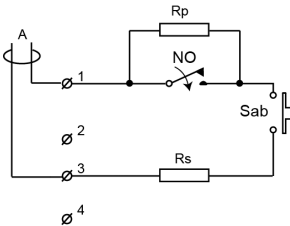
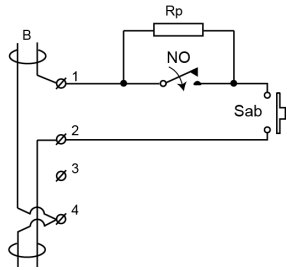

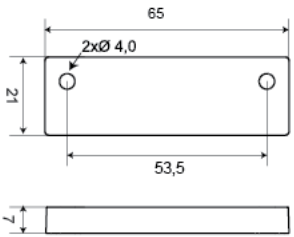

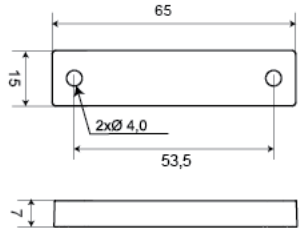

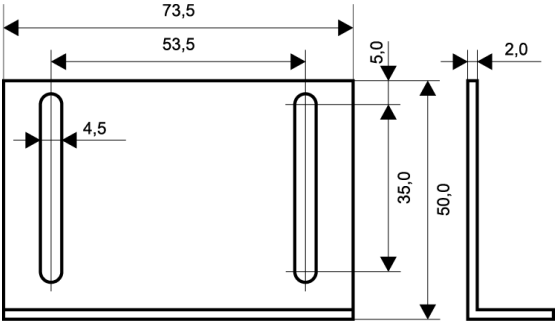
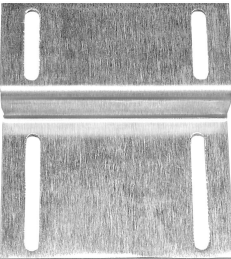


MC 440 is a surface mount magnetic contact with NC function and 4 screw terminals. It can be used in both alarm and access control systems for monitoring e.g. doors and windows against unauthorized opening. It is equipped with tamper protection. The magnetic contact has a wide gap which allows for installation on most materials such as wood, plastic, aluminium and steel. Enclosed are plastic spacers for installation on steel. The contact can be supplemented with different accessories such as brackets and extra strong magnets. If additional spacers are needed, use MC 400-6 plastic spacer for contact part and MC 400-7 plastic spacer for magnet part (mounting holes fit also to MC-L bracket and MC Z-bracket). With our extensive range of installation accessories it is easy to install the contact either recessed or as a surface mount on metal and other materials.

## ORDERING INFORMATION

Model	Description
MC 440	Magnetic contact, surface mount, NC, tamper protection, screw terminals
MC 440-B	MC 440 brown design
MC 440-BL	MC 440 black design
MC 440-6	Plastic spacer contact part
MC 440-7	Plastic spacer magnet part

Related products and accessories

	<p><b>MC 440 with Built-In Resistors</b></p> <p>Magnetic Contact, with Built-In Resistors, NC</p>	<div style="display: flex; justify-content: space-around;"> <div style="text-align: center;"> <p>EOL</p>  </div> <div style="text-align: center;"> <p>IN PARALLEL</p>  </div> </div>
	<p><b>MC 400-6</b></p> <p>Plastic Spacer Contact Part for MC 440 Series</p>	
	<p><b>MC 400-7</b></p> <p>Plastic Spacer Magnet Part for MC 440</p>	
	<p><b>MC L</b></p> <p>Installation L-Bracket</p>	
	<p><b>MC Z</b></p> <p>Installation Z-Bracket</p>	