

Unmanaged PoE Switch

 **User Manual**

1 Overview

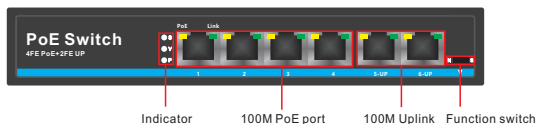
Automatically detecting and supplying power for powered devices conformed to IEEE 802.3af/at PoE+/HiPoE, unmanaged PoE switch has new functions of HiPoE and PoEdog that can efficiently solve the power-supply problems of high-power devices like high-power dome cameras and wireless access point AP and achieve auto restore when the machine breaks down. Similarly, it can solve the problems that restart the machine annually on the spot and installation requirements on multiple switches.

Features

- PoE dog: real-time detection of powered devices status; when the device is abnormal, the switch automatically restarts the port and restores PoE power supply to realize no duty.
- HiPoE: first port can output HiPoE 60W.
- PoE Standard: IEEE802.3af/at PoE+/HiPoE, support all ports standard detection.
- Support power supply for PoE devices such as AP and network monitoring cameras connected by Cat5/6 ethernet cables.
- Port supports Auto MDI/MDIX.
- Port supports lightning protection(secondary level requirements).
- Single port supports PoE power:30W.
- Zero-configuration: automatically supply for adaptive devices.
- Panel indicator monitors operating status and helps fault analysis.

2 Product Display

4*10/100M PoE port+2*100M Uplink port



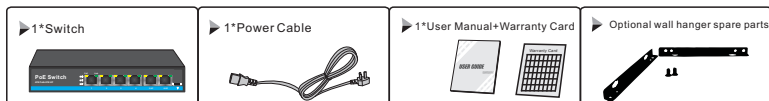
Function Switch

Mark	Mode	Description
N	Standard Normal	All ports communicate freely, adapting to common data transmission environment
V	Port Isolation	Switch to VLAN mode; downlink isolating from each other, uploads and downloads data through uplink; suppress network failure like broadcast storm and virus attack
S	Ultral-far Mode	Downlink speed limitation: 10M (Ultral-far transmission: 250 meters)

Indicator

Indicator		Status	Description
Power LED: P		Always ON	Normal
		Always OFF	Power Unconnected
		Flashes	Port circuit or current over-loaded
Port Isolation LED: V		Always ON	Port Isolation mode ON
Ultral-far Mode LED: S		Always ON	Ultral-far mode ON
PoE LED	Orange	Always ON	Powered equipments connected and power supply normally
		Always OFF	No powered equipments connected or no power supply
	Green	Always ON	Network signal communicated
		Always OFF	Network signal not communicated

Accessories List



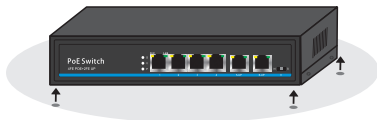
3 Installation and attentions

For the safe installation operation of switch, suggestions are as follows:

- Check up the power cable securely wrapped and connected to the AC power adapter connection or not.
- Ensure the adequate space for heat dissipation and ventilation around the switch.
- Do not stack heavy objects on the switch.

Desktop

When installing the switch on the desktop, the device must be placed flat on the table to keep it stable. Please leave aside enough space between the device and other surrounding objects for good ventilation.



Specification of power socket

The switch adopts single-phase three-pin power socket, the middle one is the G wire, the left one is the N wire, and the right one is the L wire. Please check before operation.

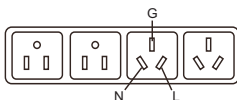


Figure 1.2.1 three-pin power socket(Single-phase)

Connection of the Power Cable

1. Check up that the power supply is consistent with the marked requirements on the switch or not ;
2. The built-in power adapter is not needed, and it can be directly connected to AC100~240V and 50~60Hz;see Fig.1.2.2.

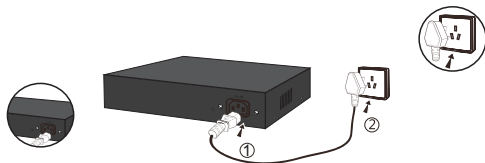


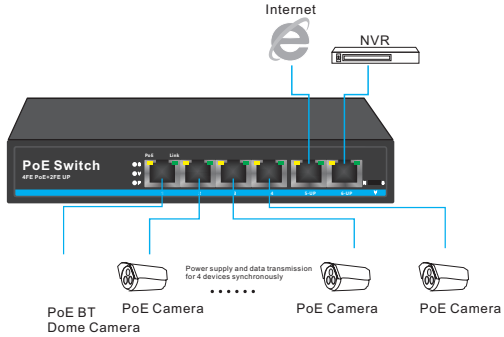
Fig 1.1.2 Power connection schematic diagram

The inspection after installation

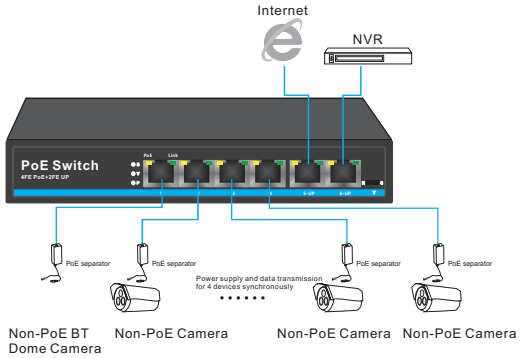
Please check up the following items after installation:

1. Enough space around the switch for heat dissipation and smooth ventilation or not.
2. The supplying power of the power socket conformed to the specification of the switch.
3. The power supply, switch, frame and other equipments are properly grounded;

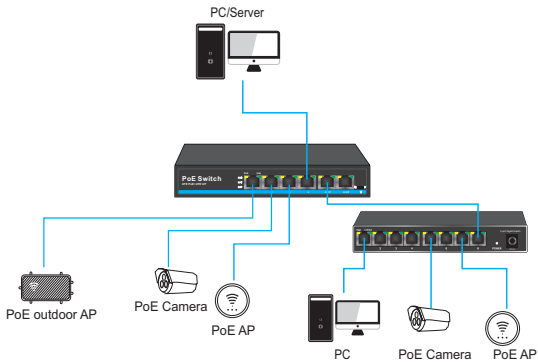
Option 1



Option 2



Option 3



5 Parameter

Product	4 port Fast Ethernet PoE Switch
Port	4*10/100Base-TX PoE port (Data/Power) 2*10/100Base-TX uplink RJ45 port (Data) 1-4 port support PoE(first port supports HiPoE_60W)
Function	N:(Standard Normal)+V:(Port Isolation)+ S(Ultral-far Mode)
Network Protocol	IEEE802.3 IEEE802.3i 10BASE-T IEEE802.3u 100BASE-TX IEEE802.3x IEEE802.3af/at//PoE++ hasivo HiPoE
PoE Standard	IEEE802.3af/at
Port Specification	10/100BaseT (X) Auto
Transmission Mode	Store and Forward(full wirespeed)
Bandwidth	1.6Gbps
Packet Forwarding	0.86Mpps
MAC Address	1K
Buffer	768K
Transmission Distance	10BASE-T : Cat3,4,5 UTP(≤250 meter) 100BASE-TX : Cat5 or later UTP(150 meter)
Power Pin	Default 1/2(+), 3/6(-); Optional 4/5(+); 7/8(-)
Single port power	Average 15.4W; MAX 30W(Ai version: MAX 60W)
Total Power/Input Voltage	MAX 65W (AC100-240V)
Watt	Standby Power Consumption ≤ 3W; Full-loaded Power Consumption: < 65w
LED Indicator	P: Power LED(Over-power LED) Uplink: (Green=10/100M LED+Orange=1000M LED) Port: (Green=Link LED+Orange=PoE LED) V: (Port Isolation LED) S: (Ultral-far Mode LED)
Power	Built-in power AC: 100 ~ 240V 50-60Hz 1A
Operating Temperature/ Humidity	-10 ~ +55°C; 5% ~ 90% RH Non coagulation
Storage Temperature/ Humidity	-40 ~ +75°C; 5% ~ 95% RH Non coagulation
Product size /Packing size (L*W*H)	190mm*130mm*35mm 305mm*205mm*55mm
N.W/G.W(kg)	0.6kg/0.9kg
Installation	Desktop(optional wall hanger parts)
Lightning protection level	3KV 8/20us; Ip30
Certificate	CE mark, commercial; CE/LVD EN60950; FCC Part 15 Class B; RoHS;
Warranty	Whole device for 1 year (Accessories not included)

Attentions

To avoid equipment damage and personal injury caused by improper use, please follow the precautions as below:

- Keep the status of power-off during installation, and wear anti-static wrist to ensure good contact between anti-static wrist and skin to avoid the hidden danger.
- The switch can only work normally under the correct power supply. Please confirm that the power supply voltage is consistent with the voltage marked on the switch.
- Before switch on, please make sure that it will not cause overload of the power circuit, so as not to affect the normal operation of the switch or even unnecessary damage.
- In order to avoid the danger of electric shock, do not open the shell up when the switch works, even in the case of no live current, do not open.
- Before cleaning the switch, pull out the power plug. Do not wipe it by using wet fabrics or liquid.
- Install device in the rack-mount regularly from top to bottom, in case of over-load installation.
- Don't stack other heavy objects on the surface of the switch to avoid accidents.