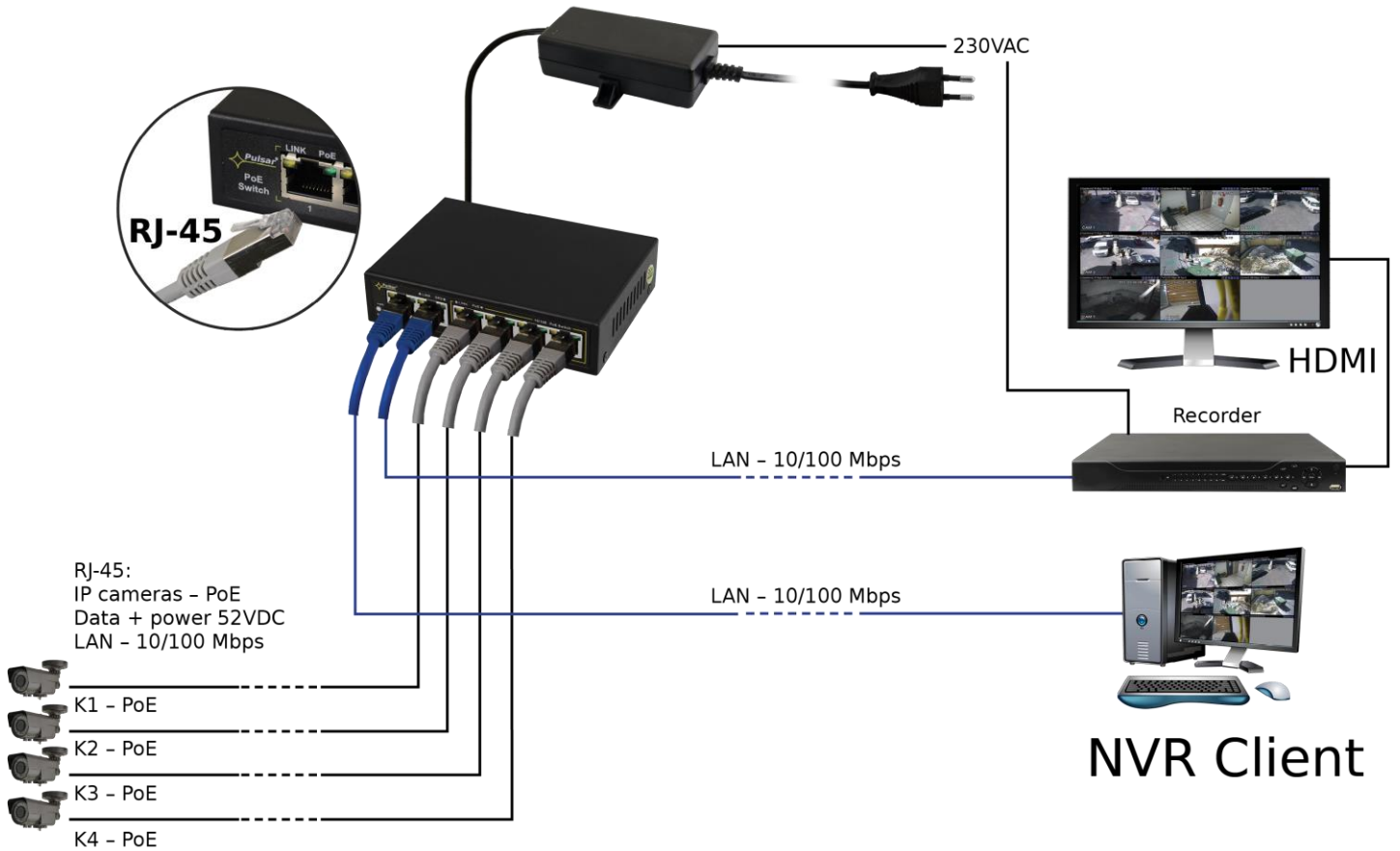


### Features:

- Switch 6 ports
  - 4 PoE ports 10/100Mb/s (data transfer and power supply)
  - 2 ports 10/100Mb/s (UP LINK)
  - 30W for each PoE port, supports devices complaint with the IEEE802.3af/at standard
  - Supports auto-learning and auto-aging of MAC addresses (1K size)
  - LED indication
- The PSD 520115 52VDC/1,15A/60W max. power supply desktop type included
  - Additional assembly elements
  - warranty – 2 year from the production date

### Example of use.



## 1. Technical description

### 1.1. General description.

S64 is a 6-ports PoE switch designed to supply IP cameras operating in IEEE 802.3af/at standard. Automatic detection of any devices powered in the PoE standard is enabled at the 1 – 4 ports of the switch. The UP LINK ports is used for connection of another network device via RJ45 connector. The LEDs at the front panel indicate the operation status (description in the table below).

The PoE technology ensures a network connection and reduces installation costs by eliminating the need to supply a separate power cable for each device. This method allows supplying other network devices, such as IP phone, wireless access point or router.

## 1.2 Block diagram.

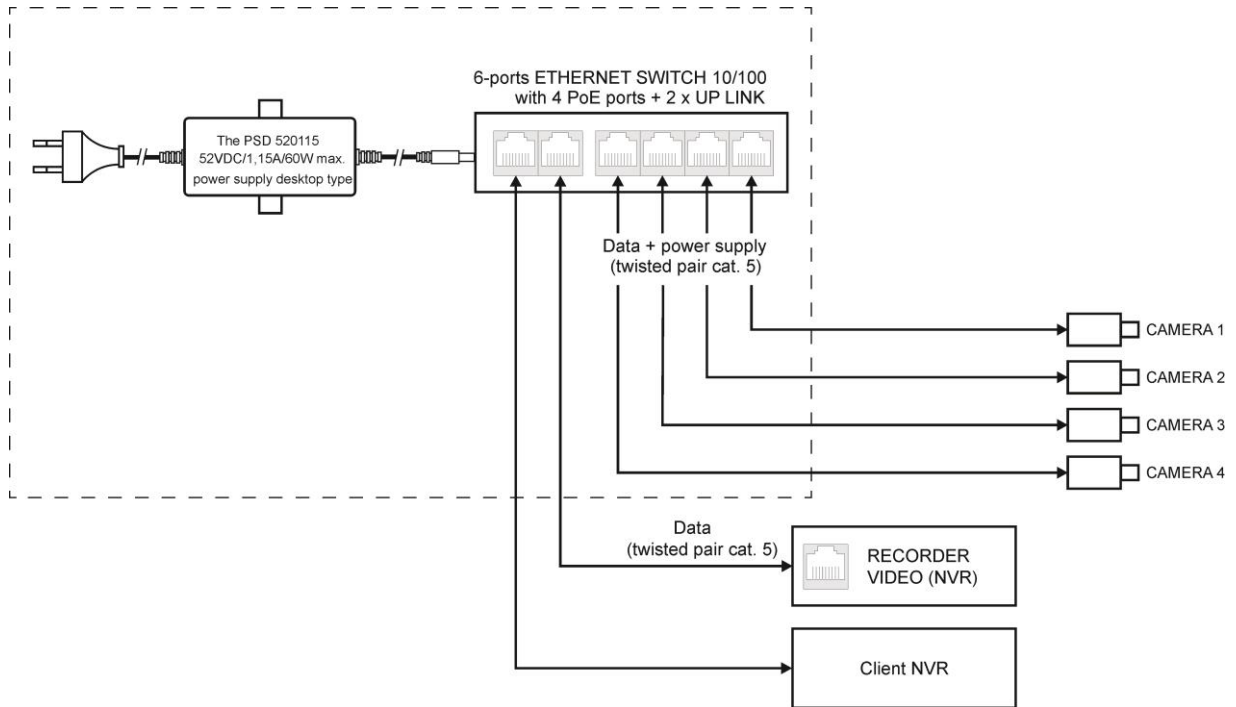


Fig. 1. Block diagram.

## 1.3. Description of components and connectors.

Table 1. (see Fig.2)

Element no. (Fig. 2)	Description
[1]	2 x UP LINK port
[2]	4 x PoE port (1÷4)
[3]	Power Socket of the DC
[4]	Additional mounting elements

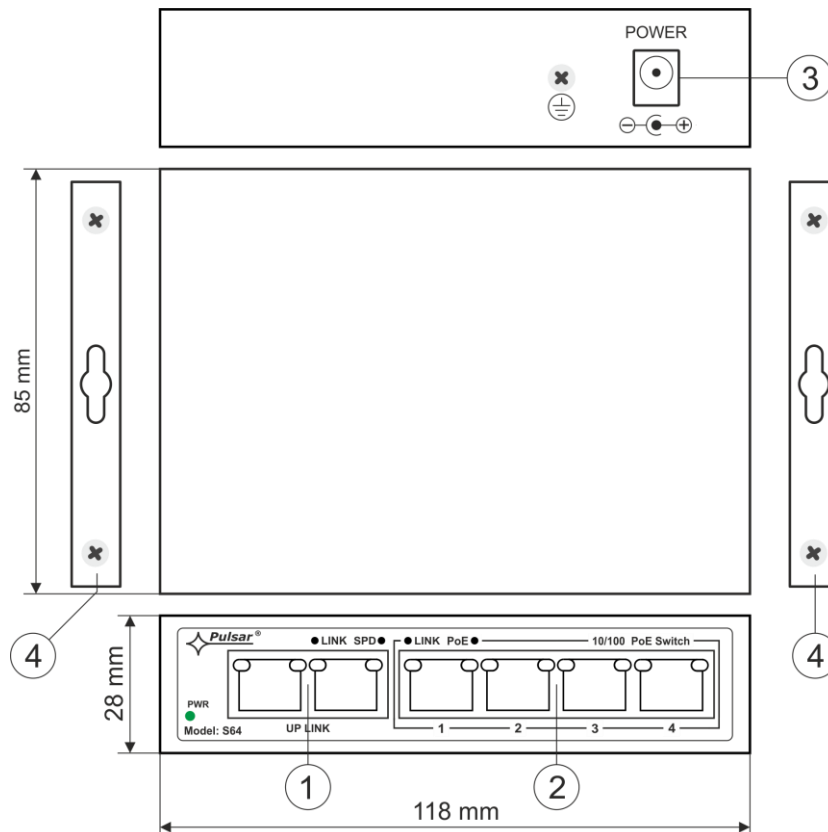
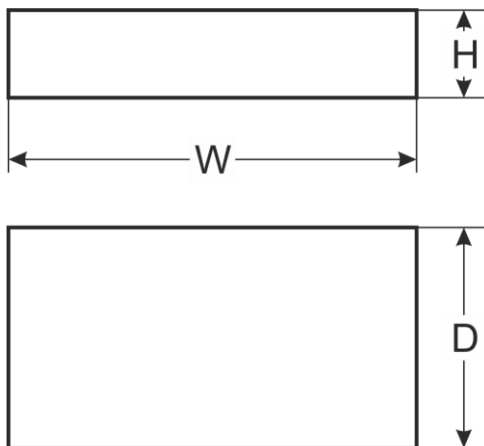


Fig. 2. The view switch'a.

#### 1.4. Technical parameters.



**Table 2.**

<b>Ports</b>	6 10/100Mb/s ports (4 x PoE + 2 x UP LINK) with connection speed auto-negotiation and MDI/MDIX Auto Cross
<b>PoE power supply</b>	IEEE 802.3af/at (1÷4 ports), 52VDC / 30W at each port * Used pairs 4/5 (+), 7/8 (-)
<b>Protocols, Standards</b>	IEEE802.3, 802.3u, 802.3x CSMA/CD, TCP/IP
<b>Bandwidth</b>	1,6Gbps
<b>Transmission method</b>	Store-and-Forward
<b>Optical indication of operation</b>	Switch power supply; Link/Act; PoE Status
<b>Power supply</b>	90 ÷ 264VAC 50+60Hz / 0,5A / 230VAC the PSD 520115 52VDC / 1,15A/60W max. power supply desktop type
<b>Operating conditions</b>	temperature -10°C ÷ 40°C, relative humidity 5% - 90%, no condensation
<b>Dimensions</b>	W=118, H=28, D=85 [+/- 2mm]
<b>Additional equipment</b>	plate to be fixed surface
<b>Net/gross weight</b>	0,5/ 0,7kg
<b>Protection class EN 60950-1:2007</b>	II (second)
<b>Storage temperatur</b>	-20°C ÷ 60°C
<b>Declarations</b>	CE

\* The given value of 30W per port is the maximum value. The total power consumption should not exceed 48W when all PoE ports are being used.

## 2. Installation

### 2.1. Requirements

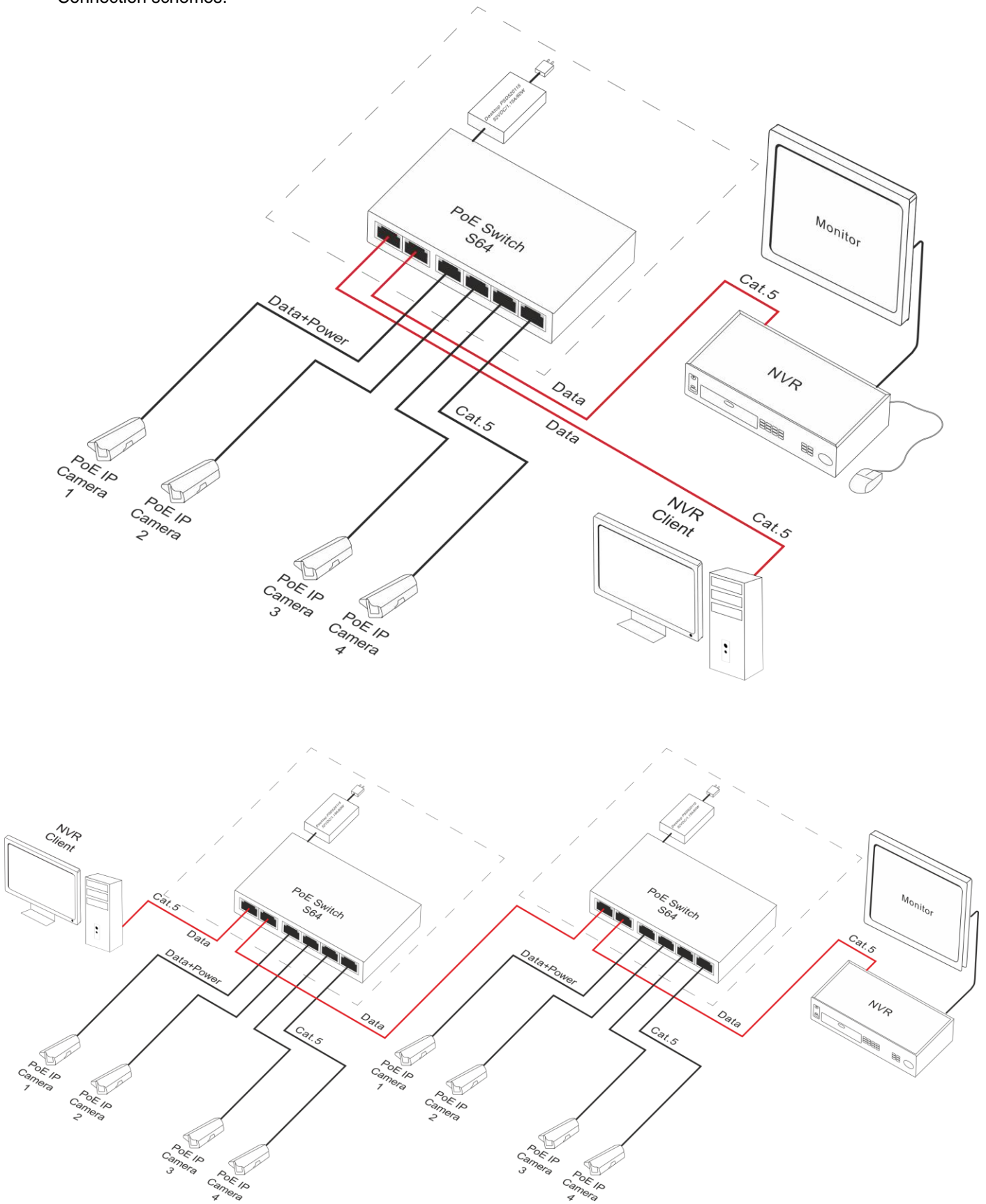
The unit should be mounted in confined spaces, in accordance with the 2nd environmental class, with normal relative humidity (RH=90% maximum, without condensation) and temperature from -10°C to +40°C. Ensure the free flow of air around the unit. The PSU shall work in a vertical position that guarantees sufficient convectonal air-flow through ventilating holes of the enclosure.

The load balance should be done before installation Switcha. The given value of 30W per port is the maximum value referring to a single output. The total power consumption should not exceed 48W when all PoE ports are being used. The increased demand for power is particularly evident in the case of cameras with heaters or infrared illuminators - when launching these features, the power consumption increases rapidly, which may adversely affect the operation of the switch. The device is designed for a continuous operation and is not equipped with a power-switch. Therefore, an appropriate overload protection in the power supply circuit should be provided. The electrical system shall be made in accordance with applicable standards and regulations.

### 2.2. Installation procedure

1. Connect switch to the PSD520115 52VDC power supply unit desktop type.
2. Connect the power supply to the AC 230V socket.
3. Connect the camera wires to the RJ45 connectors (PoE connectors).
4. Check the optical indication of switch operation (see Table 3).


Connection schemes.



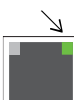

### 3. Operation indication.

Table 3. Operation indication

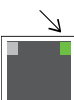

#### OPTICAL INDICATION OF THE SWITCH'S POWER SUPPLY

<b>GREEN LED LIGHT (Power)</b> Indication of the switch's power supply	<b>PWR</b> 	<b>OFF</b> – no power supply of the switch <b>ON</b> – power supply on, normal operation
---	--	---

#### OPTICAL INDICATION AT THE PoE PORTS (1÷4)

<b>GREEN LED LIGHT (PoE)</b> Indication of the PoE power supply at the RJ45 ports		<b>OFF</b> - no power supply at the RJ45 port (the device is not connected or not compliant with the IEEE802.3af/at standard) <b>ON</b> – supply at the RJ45 port <b>Blinking</b> – short-circuit or output overload
<b>YELLOW LED LIGHT (LINK)</b> The connection status of LAN devices, 10MB/s or 100Mb/s and data transmission		<b>OFF</b> - no connection <b>ON</b> - the device is connected; 10Mb/s or 100Mb/s <b>Blinking</b> – data transmission

#### OPTICAL INDICATION AT THE UP LINK PORTS

<b>GREEN LED LIGHT</b>		<b>OFF</b> - no connection/ the device is connected; 10Mb/s <b>ON</b> – the device is connected; 100Mb/s
<b>YELLOW LED LIGHT (LINK)</b> The connection status of LAN devices, 10MB/s or 100Mb/s and data transmission		<b>OFF</b> - no data transmission <b>ON</b> - the device is connected; 10Mb/s or 100Mb/s <b>Blinking</b> – data transmission



#### WEEE LABEL

**Waste electrical and electronic equipment must not be disposed of with normal household waste. According to the European Union WEEE Directive, waste electrical and electronic equipment should be disposed of separately from normal household waste.**

**Pulsar**  
 Siedlec 150, 32-744 Łapczyca, Poland  
 Tel. (+48) 14-610-19-40, Fax. (+48) 14-610-19-50  
 e-mail: [biuro@pulsar.pl](mailto:biuro@pulsar.pl), [sales@pulsar.pl](mailto:sales@pulsar.pl)  
 http:// [www.pulsar.pl](http://www.pulsar.pl), [www.zasilacze.pl](http://www.zasilacze.pl)