



1. Technical description.

The fuse module is intended for dividing power in low-voltage alarm systems (power distribution) that require voltage within the range of: **10 V ÷ 30 V DC**. It contains two power inputs: a screw connector and a DC 5,5/2,1 outlet and eight power outputs AUX1÷AUX8 which are independently secured with 0,5A (0,3A et 1A) glass fuses. An activation of the fuse is indicated by an appropriate LED going out: L1 for AUX1, L2 for AUX2 etc. Additionally, each output is secured by a varistor which protects the PSU and the receivers against surges in the power circuit.

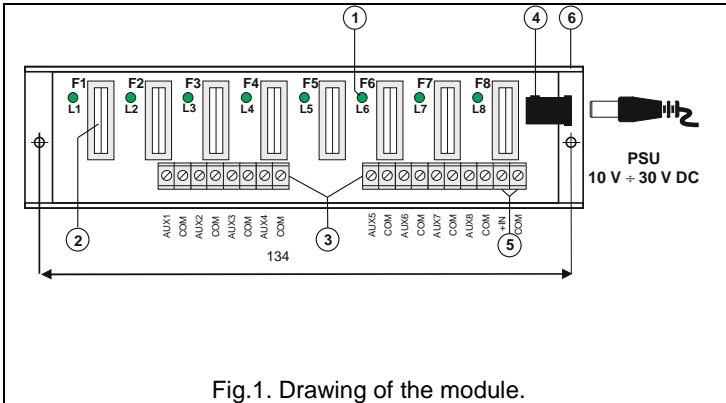


Fig.1. Drawing of the module.

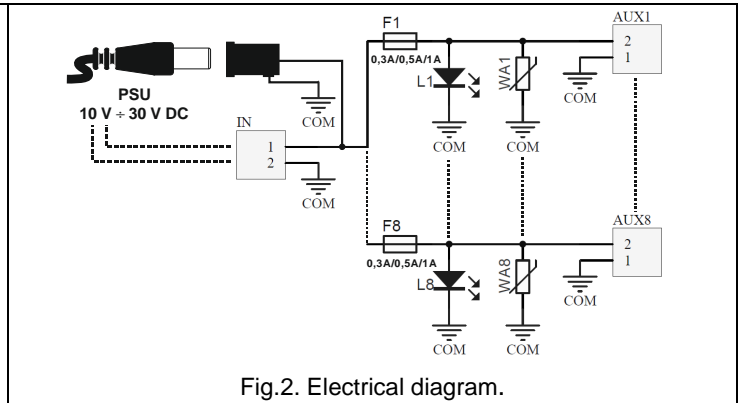


Fig.2. Electrical diagram.

Table 1. Description of components and connectors of the PSU.

| Element no. [fig. 1] | Description |
|----------------------|--|
| [1] | L1 ÷ L8 green LEDs |
| [2] | F1 ÷ F8 fuses in the AUX (+) circuits |
| [3] | AUX1 ÷ AUX8 independently secured outputs, common terminal COM (-) |
| [4] | DC 5,5/2,1 outlet – module's power input |
| [5] | Screw connector – module's power input |
| [6] | Mounting strip |

Table 2. Specifications.

| | |
|--------------------------------|--|
| Supply voltage | 10 V ÷ 30 V DC |
| Output voltage | $U_{AUX} = U_{IN}$ (equal to supply voltage) |
| Current consumption | 9 mA ÷ 60 mA @ $U_{IN} = 10 V \div 30 V DC$ |
| Number of power inputs | 2: a DC 5,5/2,1 outlet or a screw connector |
| Number of power outputs | 8 (AUX terminals) |
| Protections against: | |
| - a short circuit SCP | - 8 x 0,5A (8x0,3A or 8x1A additional fuse kit) |
| - an overload OLP | - 8 x 0,5A (8x0,3A or 8x1A additional fuse kit) |
| - a surge | - varistors |
| LED indication | Green LEDs L1 ÷ L8 – outputs status AUX1÷AUX8 |
| F1 ÷ F8 fuses | 8 x 0,5A (8x0,3A or 8x1A additional fuse kit) |
| Operating conditions | II environmental class, -10°C ÷ 50°C |
| Dimensions | 124 x 43 x 21 (WxHxD) |
| Fixing | a mounting tape or dowel pins x2 (holes Ø3mm) |
| Connectors: | |
| - of power output | - screw connectors $\Phi 0,41 \div 1,63$ (AWG 26-14) |
| - of power input | - a DC 5,5/2,1 outlet or a screw connector $\Phi 0,41 \div 1,63$ (AWG 26-14) |
| Net/gross weight | 0,086kg / 0,113kg |

WEEE MARKING

According to the EU WEE Directive – It is required not to dispose of electric or electronic waste as unsorted municipal waste and to collect such WEEE separately.

WARRANTY

Pulsar K. Bogusz Sp.j. (the manufacturer) grants a two-year warranty for the equipment, counted from the device's production date.

Pulsar K.Bogusz Sp.j.

Siedlec 150, 32-744 Łapczyca, Polska
Tel. (+48) 14-610-19-40, Fax. (+48) 14-610-19-50
e-mail: biuro@pulsar.pl, sales@pulsar.pl
http:// www.pulsar.pl, www.zasilacze.pl