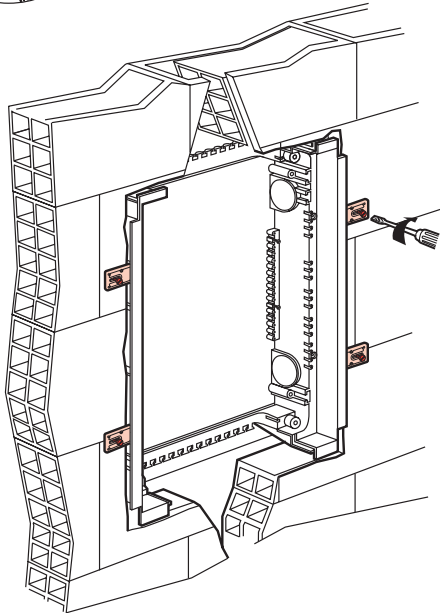
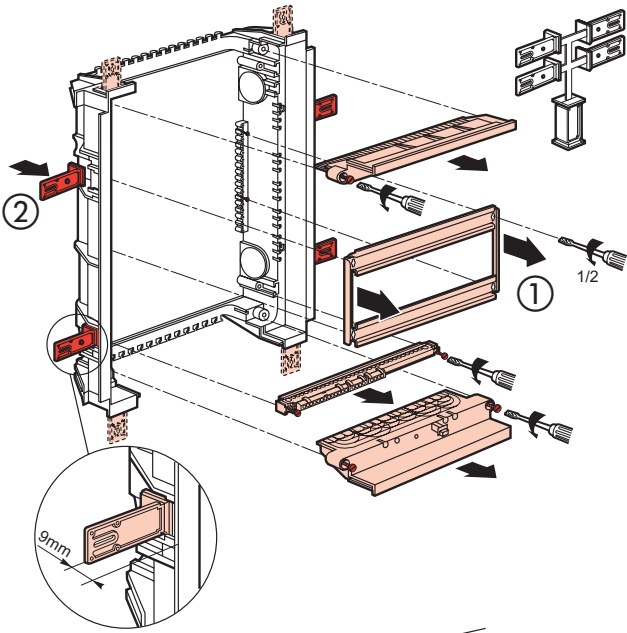


A (mm)	330 ≤ A ≤ 360	330 ≤ A ≤ 360	330 ≤ A ≤ 360	330 ≤ A ≤ 360
B (mm)	315 ≤ B ≤ 345	440 ≤ B ≤ 470	565 ≤ B ≤ 595	690 ≤ B ≤ 720

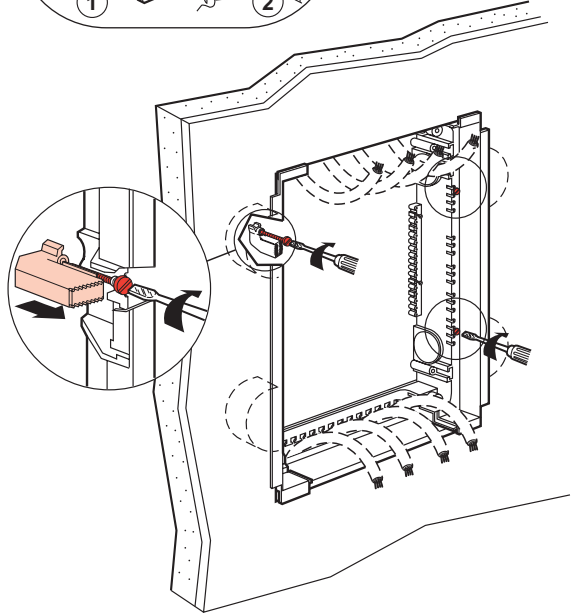
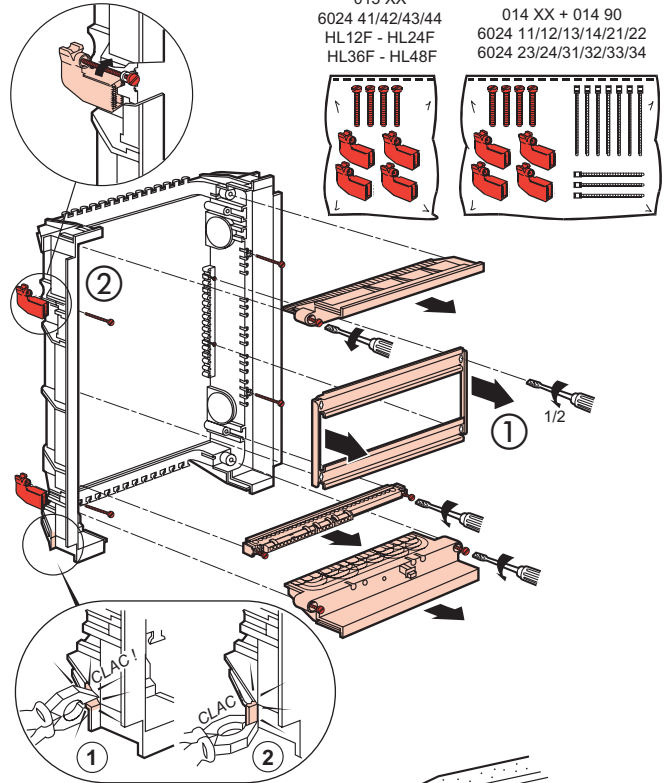
A (mm)	315	315	315	315
B (mm)	305	430	555	680

2

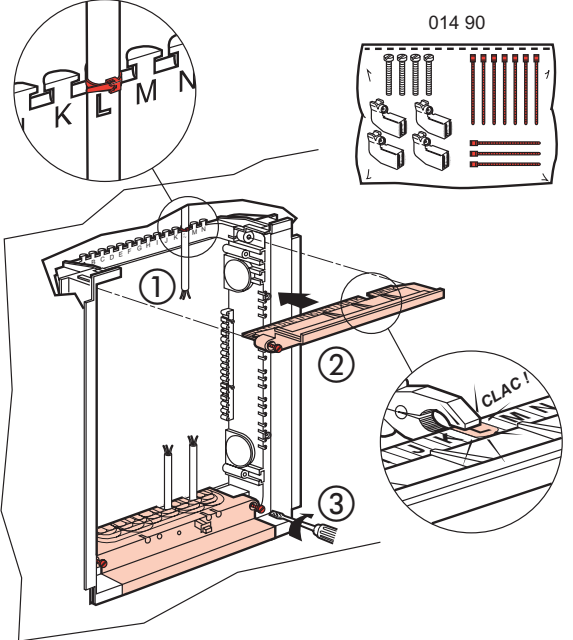
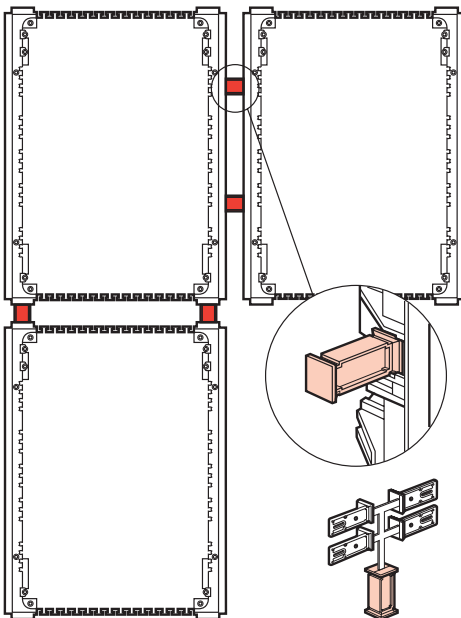


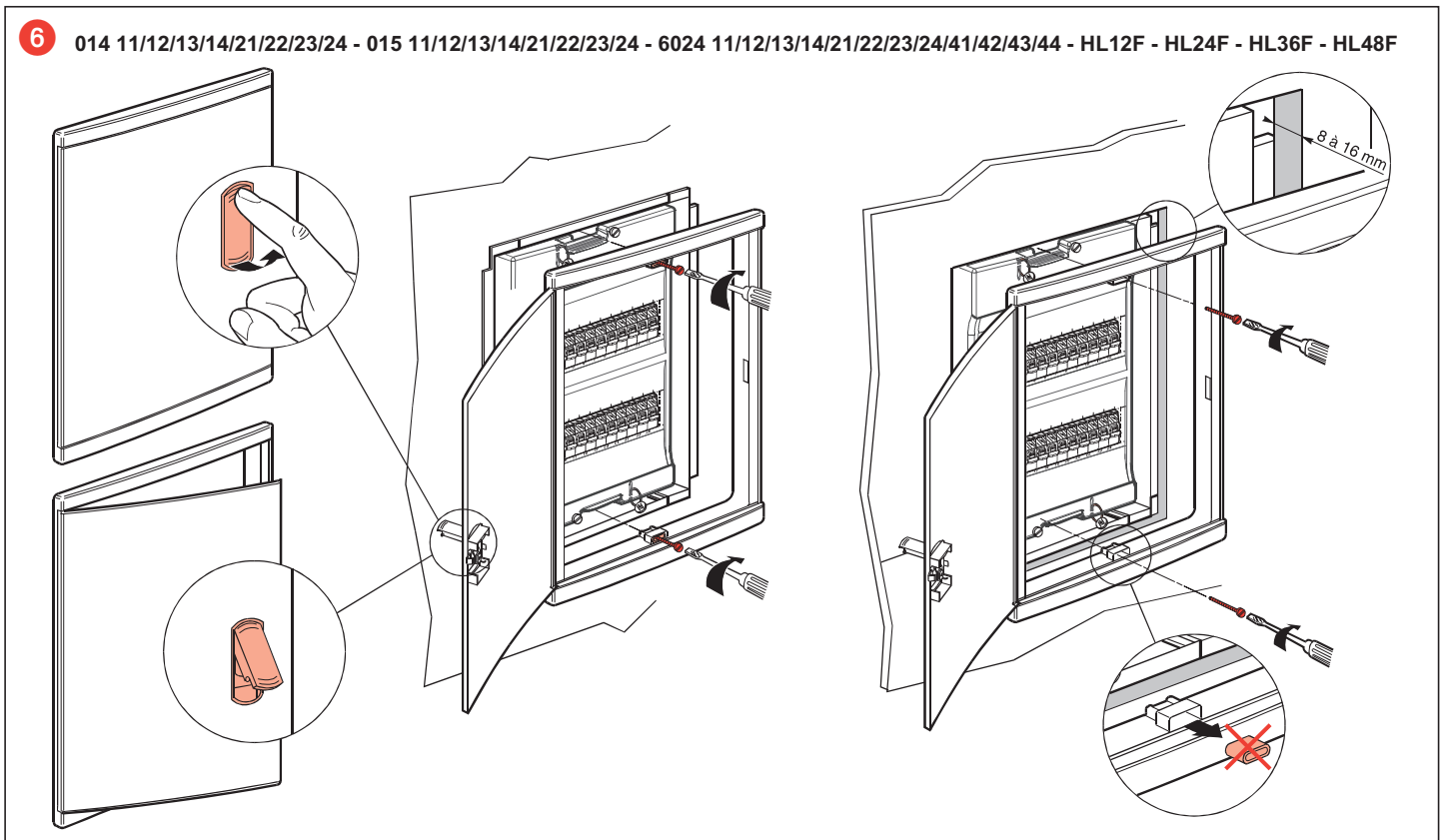
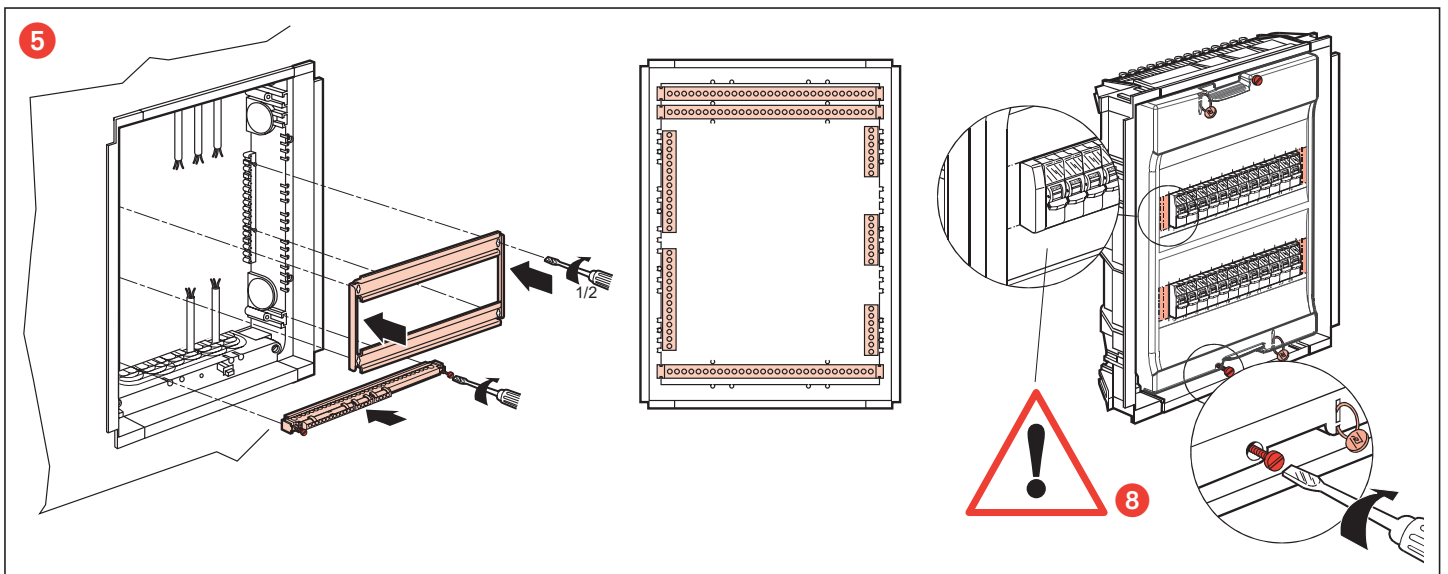
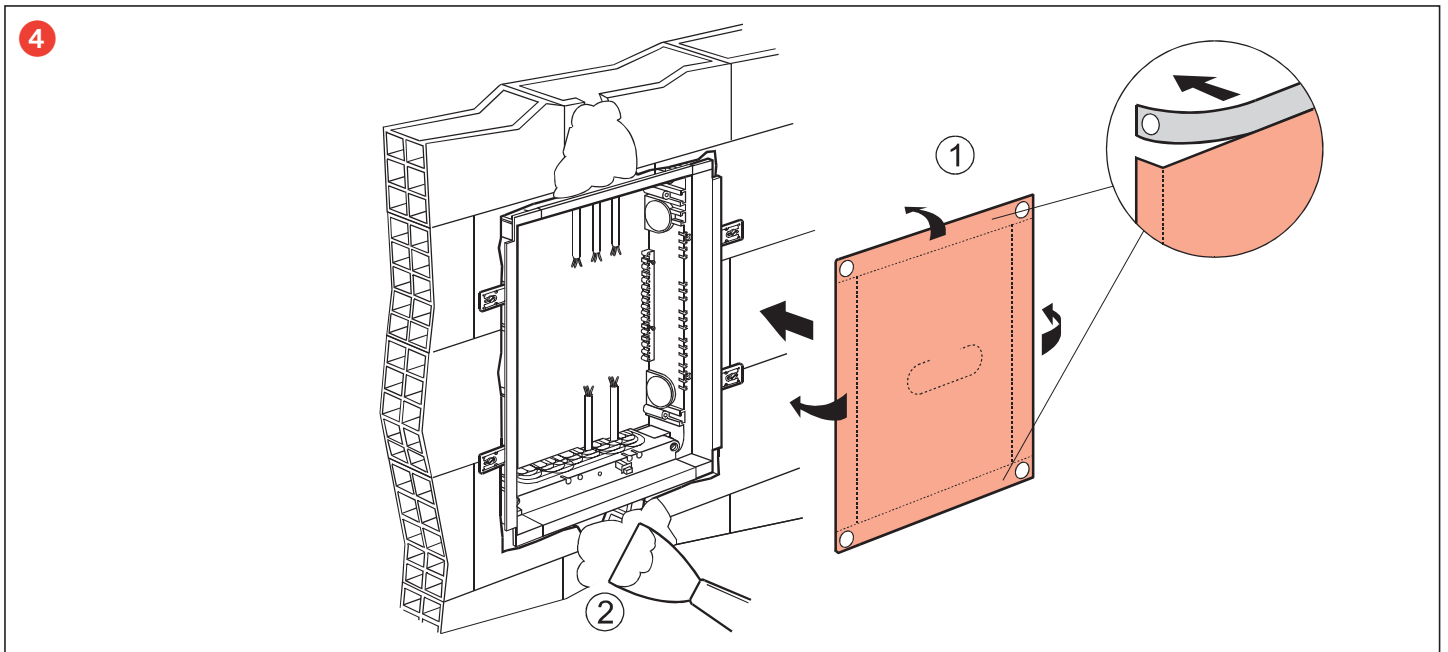
015 XX
6024 41/42/43/44
HL 12F - HL24F
HL36F - HL48F

014 XX + 014 90
6024 11/12/13/14/21/22
6024 23/24/31/32/33/34

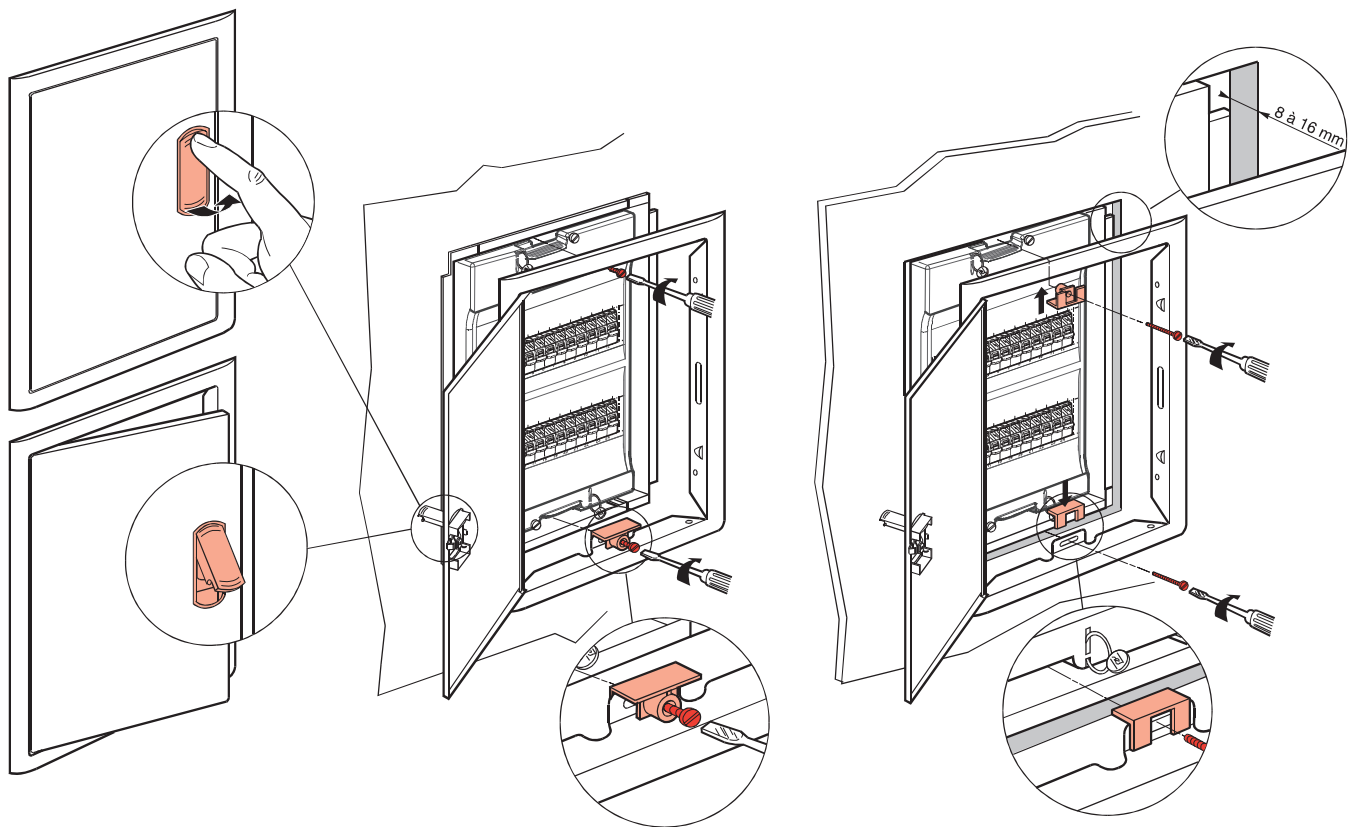


3

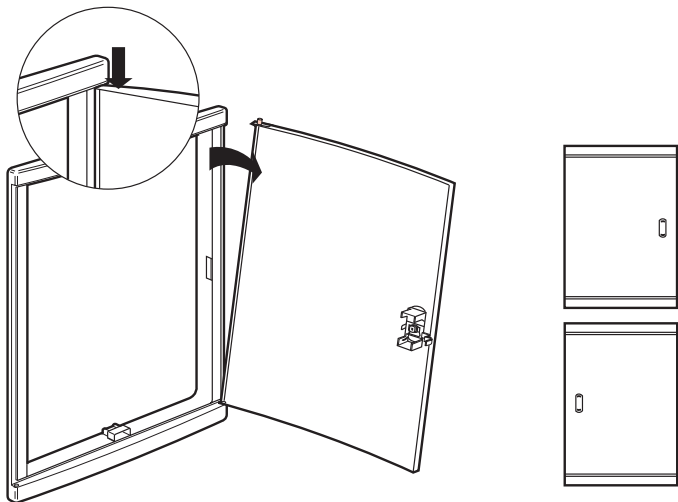




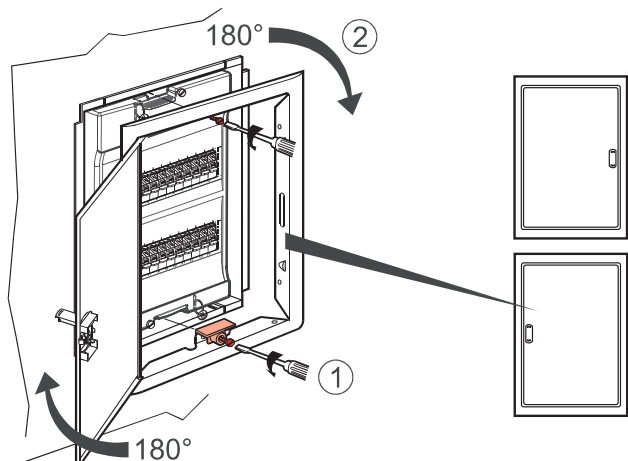
6 014 31/32/33/34 - 015 31/32/33/34 - 6024 31/32/33/34



7 014 11/12/13/14/21/22/23/24 - 015 11/12/13/14/21/22/23/24
6024 11/12/13/14/21/22/23/24/41/42/43/44
HL12F - HL24F - HL36F - HL48F



014 31/32/33/34 - 015 31/32/33/34 - 6024 31/32/33/34



8 014 11/12/13/14/21/22/23/24/31/32/33/34
015 11/12/13/14/21/22/23/24/31/32/33/34
6024 11/12/13/14/21/22/23/24/31/32/33/34/41/42/43/44
HL12F - HL24F - HL36F - HL48F

