

The SPL-2010 optical-acoustic signaling device (siren) is designed for application in the burglary and assault signaling systems. The signaling function is performed in two ways: visually (by blinking of indicator LEDs situated in the lower part of the enclosure) and acoustically (by a modulated high-volume sound signal). As the light source, a set of LEDs is used, whereas the sound signal is generated by means of a piezoelectric transducer. Design of the signaling device housing as well as internal shield made of galvanised plate ensure a high degree of tamper protection (against opening, tearing off from the base, as well as against clogging of converter). The electronic circuit is made by the use of SMD technique and impregnated against the adverse influence of weather conditions, which ensures a high reliability of the device. As the SPL-2010 external housing is made of the PC LEXAN high-impact polycarbonate, it is characterized by a very high mechanical strength, and a nice appearance of the device is guaranteed even after many years of service.

1. Installing

The SPL-2010 siren should be mounted on flat vertical basis in inaccessible place in order to minimize tampering possibility. It must be attached to the surface by means of screws and expansion plugs (the screws and expansion plugs are included in the device delivery set).

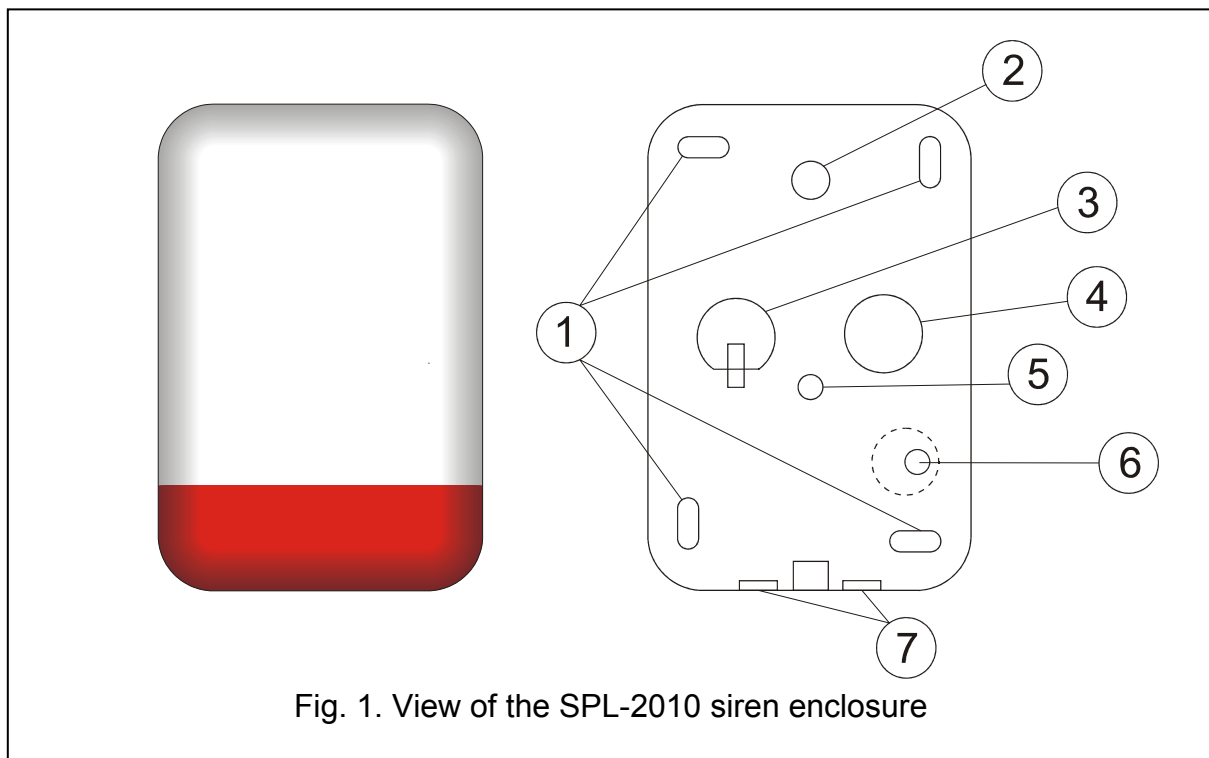


Fig. 1. View of the SPL-2010 siren enclosure

Note: Make sure to leave a distance of about 4.5cm between the upper edge of the signaling device base and the ceiling or another element which limits the mounting position from above. With no gap, mounting of the signaling device external housing may be difficult.

Explanations for Figure 1:

- 1 – mounting holes
- 2 – auxiliary opening
- 3 – foam detector (option)
- 4 – buzzer
- 5 – cable hole
- 6 – tamper element "S" (should be screwed to the mounting surface; do not apply excessive force, so as not to break the narrowings)
- 7 – water drain holes (make sure they are not stopped)

After mounting the siren it is recommended to seal mounting holes, auxiliary opening, and cable entry hole with silicon rubber paste.

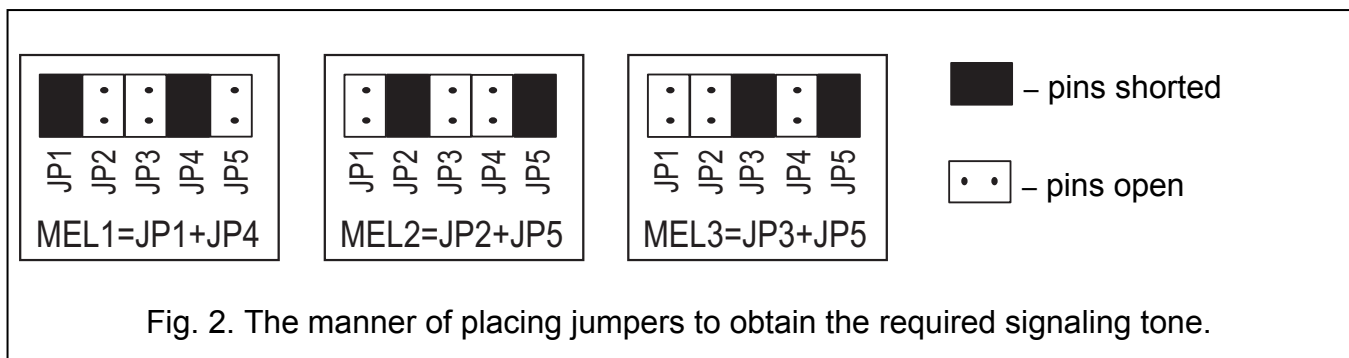
2. Connections

The SPL-2010 siren can be used with any source of alarm signal which in emergency situation generates 12V direct voltage on its alarm output(s). Connecting +12 V power supply to the "+ SA –" terminals will trigger the acoustic signaling, and to the "+ SO –" terminals - the optical signaling in the SPL-2010 device.

The tamper circuit of the siren will be open on removing the outer enclosure, covering with mounting foam, or detaching the siren from the wall. For the tamper contact to function correctly during pull-off, the "S" element must be screwed to the mounting surface (see Fig. 1).

Connectors "TMP" are designed for connecting into tamper circuit of security system.

By placing jumpers on the **JP1–JP5** pins, you can select one of the three audible signals for alarm signaling.



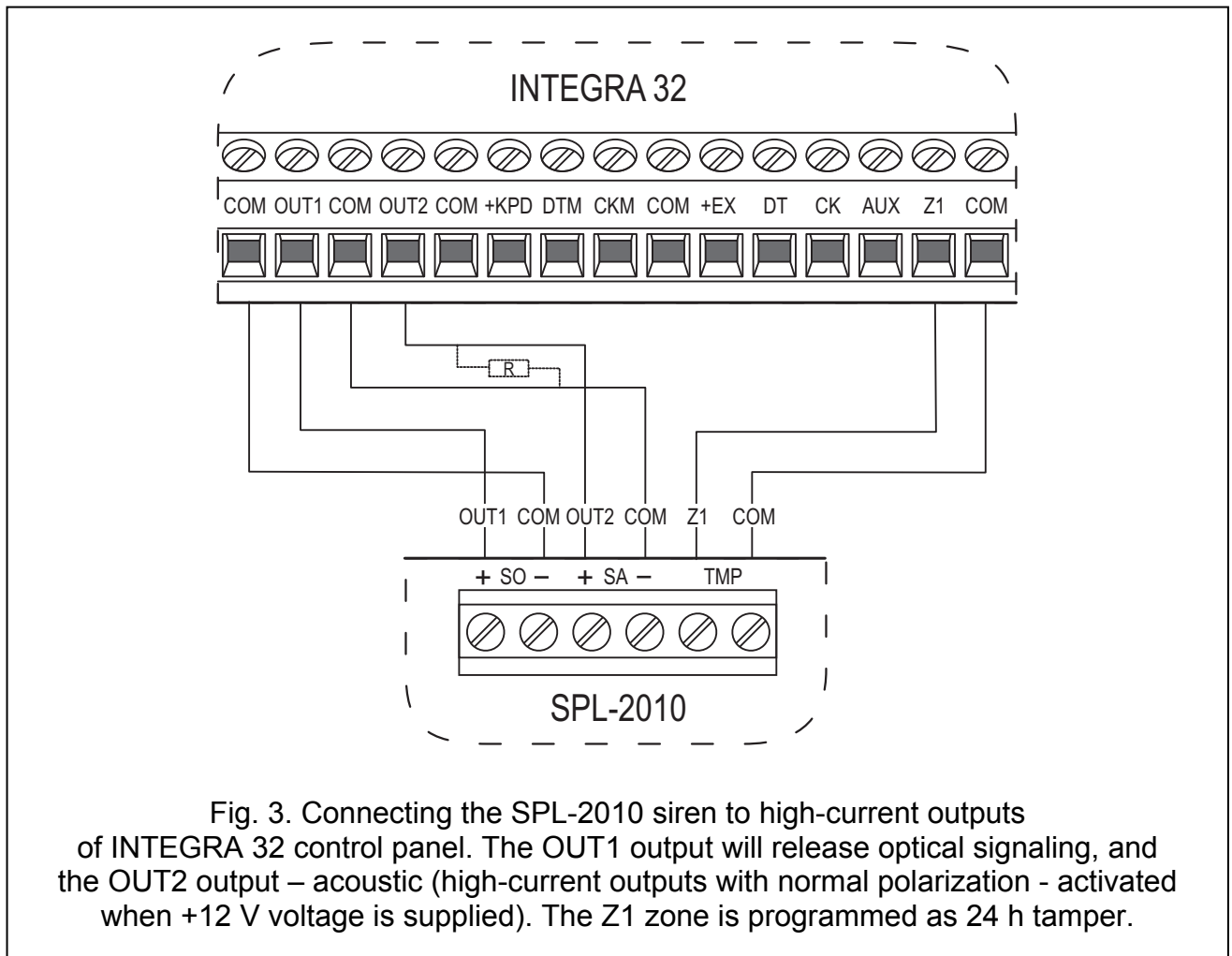


Fig. 3. Connecting the SPL-2010 siren to high-current outputs of INTEGRA 32 control panel. The OUT1 output will release optical signaling, and the OUT2 output – acoustic (high-current outputs with normal polarization - activated when +12 V voltage is supplied). The Z1 zone is programmed as 24 h tamper.

It is possible to control two types of signaling from one output of control panel, by connecting in parallel the terminals +SA to +SO and -SA to -SO.

Note: Some control panels may require connecting a resistor R (approx. $1\text{ k}\Omega$) between the +SA- terminals in the siren. If this resistor is not connected, the siren may emit some low sounds when not alarming.

Description of the terminals:

- +SO-** – optical signaling terminals
- +SA-** – acoustic signaling terminals
- TMP** – tamper circuit terminals

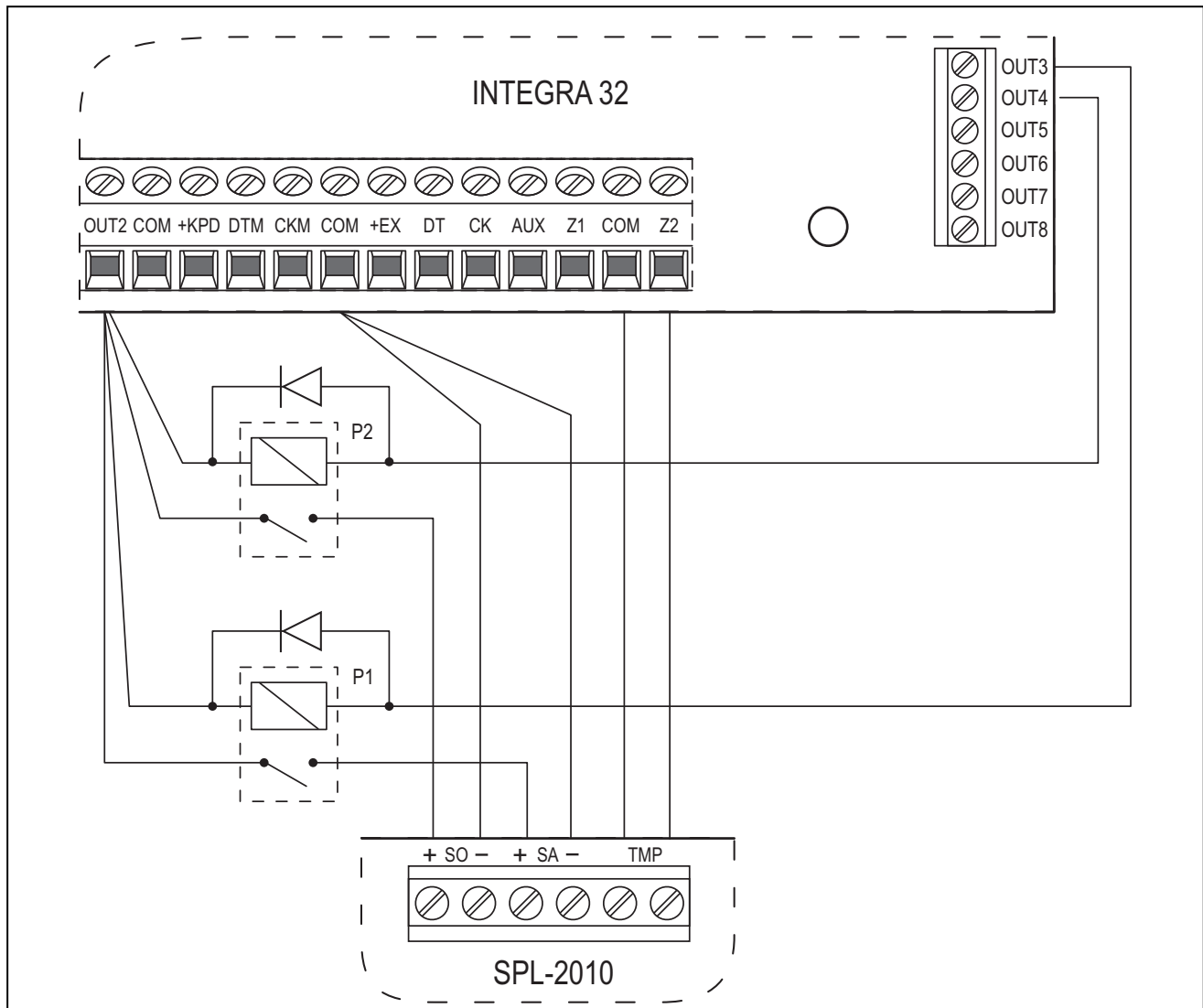



Fig. 4. Connecting the SPL-2010 siren to low-current outputs of INTEGRA 32 control panel. The OUT2 output has been programmed as power output. The OUT3 output controls the P1 relay, which releases acoustic signaling, and the OUT4 output controls the P2 relay, which releases optical signaling (low-current outputs with normal polarization - activated by shorting the terminal directly to the common ground 0 V). The Z2 zone is programmed as 24 h tamper.

3. Technical data

Nominal power supply.....	12 V DC ±20%
Mean current consumption when signaling	
acoustic signaling.....	250 mA
optical signaling	35 mA
Working temperature range	-35...+60 °C
Sound pressure	approx. 120 dB
Enclosure dimensions.....	298x197x90mm
Weight	1,22 kg

SATEL sp. z o.o. ul. Schuberta 79 80-172 Gdańsk POLAND	tel. (+48 58) 320 94 00 info@satel.pl www.satel.pl	Latest EC declaration of conformity and product approval certificates can be downloaded from our web site www.satel.pl 
---	--	--